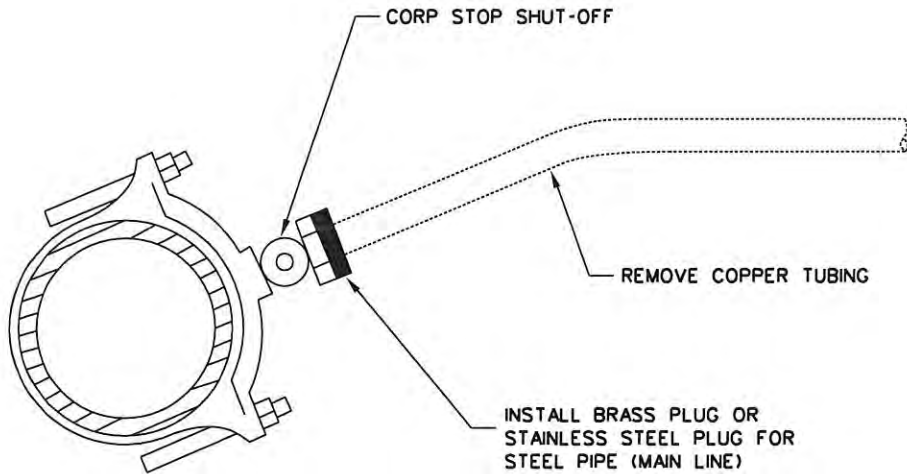
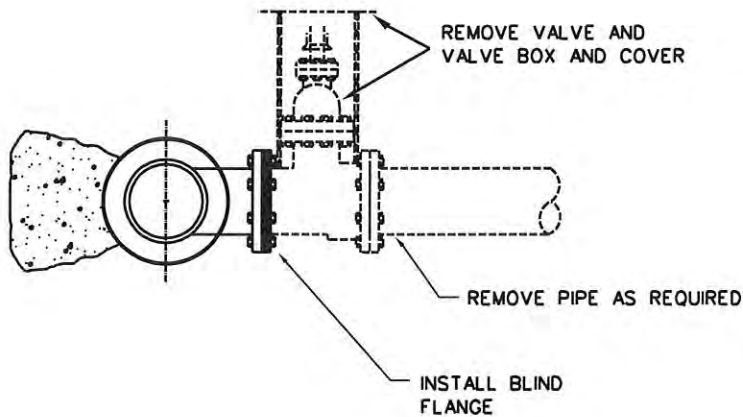


2" AND SMALLER



4" AND LARGER



NOTES:

1. ALL EXISTING VALVES (4" AND LARGER) SHALL BE SALVAGED AND DELIVERED TO CITY'S WATER RESOURCES DIVISION AT 215 S. CENTER ST. PRIOR NOTIFICATION OF DELIVERY IS REQUIRED AT 714-647-3320.
2. PAVE AND BACKFILL PER CITY STD. PLAN 1150.

APPROVED: DATE: 3/18/2016

Namir D. Sagh

CITY OF SANTA ANA
PUBLIC WORKS AGENCY



DATE	R.R.	REVISION
3/1/16	R.R.	NEW

ABANDONMENT DETAILS

STD. PLAN
NUMBER
1430