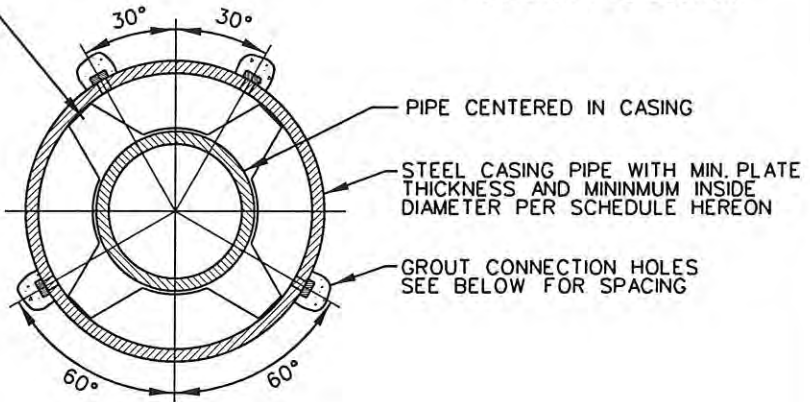


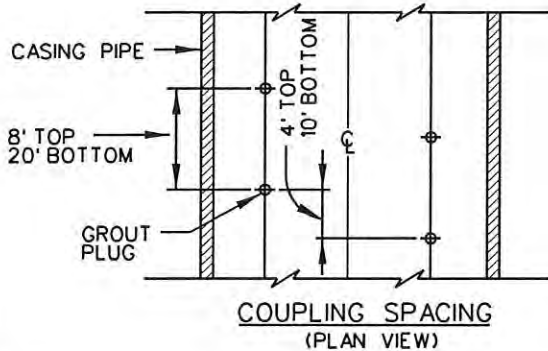
CASING DETAIL

USE POLYETHYLENE CASING INSULATORS WITH POLYETHYLENE SKIDS. ALL BOLTS AND BANDS SHALL BE TYPE 304 STAINLESS STEEL.

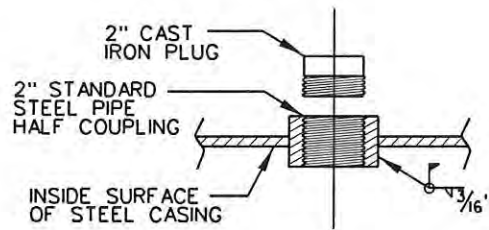


SECTION A-A

PIPE SIZE (D.I.)	STEEL CASING PIPE		MIN. WALL THK.
	DIP & PVC	CML&C	
6"	16"	14"	1/4"
8"	18"	14"	1/4"
10"	21"	18"	5/16"
12"	24"	18"	3/8"



COUPLING SPACING (PLAN VIEW)



GROUT COUPLING

NOTES:

1. ALL STEEL CASING PIPE JOINTS SHALL BE WELDED FULL CIRCUMFERENCE.
2. PERIPHERY OF CASING TO BE PRESSURE GROUTED.
3. UPSTREAM AND DOWNSTREAM ELEVATIONS TO BE VERIFIED.
4. SPACING BETWEEN THE CASING INSULATORS SHALL BE PER THE MANUFACTURERES RECOMMENDATIONS EXCEPT THAT THERE SHALL BE AT LEAST 3 CASING INSULATORS PER PIPE SECTION, ONE 12" FROM EACH JOINT AND ONE CENTERED ADDITIONALLY, ONE INSULATOR SHALL BE INSTALLED 12" FROM EACH END OF THE CASING.
5. BOTH ENDS OF THE CASING BETWEEN THE CASING AND CARRIER PIPE SHALL BE SEALED WATER TIGHT USING AN END SEAL. BANDS SHALL BE TYPE 304 STAINLESS STEEL.

APPROVED: *Mark D. Saxon* DATE: 3/8/2014

CITY OF SANTA ANA
PUBLIC WORKS AGENCY



DATE	REVISION

WATER PIPE CASING

STD. PLAN NUMBER
1429