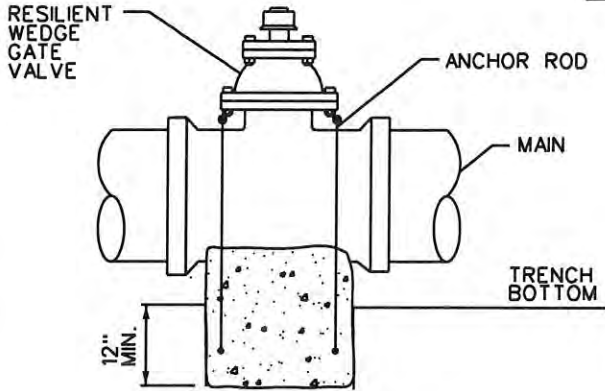
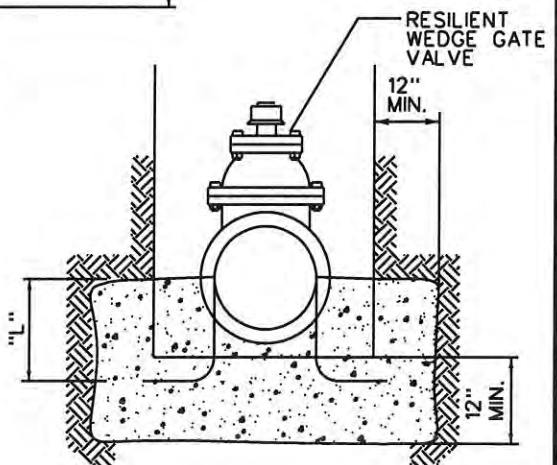


PLAN-VIEW



ELEVATION-VIEW



SECTION-VIEW

VALVE SIZE	ANCHOR ROD		NET BEARING SURFACE
	DIA.	"L" = MIN =	
8"	5/8"	18"	15 SQ. FT.
12"	5/8"	24"	34 SQ. FT.

1. NET BEARING SURFACES ARE DESIGNED AGAINST UNDISTURBED SOIL WITH A SAFE LATERAL BEARING OF 1000 LBS/S.F., AT A TEST PRESSURE OF 200 PSI, ADJUSTMENT SHALL BE MADE FOR OTHER SOILS.
2. ALL THRUST BLOCKS SHALL BE PORTLAND CEMENT CONCRETE BLOCK MIX 560-C-3250 AND PLACED AGAINST UNDISTURBED SOIL.
3. THRUST BLOCKS ON VALVES SHALL BE KEYED INTO THE TRENCH BOTTOM AS SHOWN.
4. CONCRETE SHALL NOT EXTEND ONTO FLANGE OR ADJOINING PIPE.
5. DO NOT COVER FITTING BOLTS WITH CONCRETE.
6. WHEN VALVES ARE FLANGED TO FITTINGS AVOID PLACING CONCRETE ON ANY PART OF THE VALVE BONNET OR VALVE OPERATOR.
7. ANCHOR RODS SHALL BE COATED WITH 2 COATS OF 3M CO. EC-244 OR APPROVED EQUAL.
8. MINIMUM CONCRETE COVER OVER ANCHOR ROD SHALL BE 3".
9. NO CONCRETE SHALL BE POURED ON VALVE OR PIPE JOINT.
10. MIN. YIELD STRENGTH OF STEEL BARS (36 KSI).



APPROVED: Navid Saba DATE: 3/8/2016

CITY OF SANTA ANA
PUBLIC WORKS AGENCY

DATE	R.R.	REVISION
3/1/16	R.R.	NEW

VALVE ANCHOR

STD. PLAN NUMBER
1419