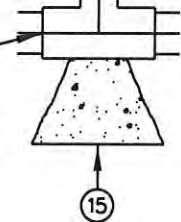
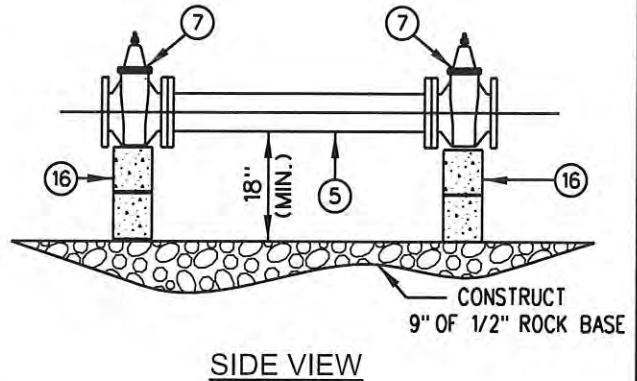


PLAN VIEW

NOTE:
ON EXISTING MAIN CONSTRUCT
HOT TAP PER CITY STD. 140B.
FOR NEW MAIN CONSTRUCT
TEE PER PLAN.



NO.	CONSTRUCTION ITEMS / MATERIALS LIST	4" SERVICE LENGTH
1	4" R.W. GATE VALVE, (FLG X PJ) OR (FLG X MJ)	-
2	4" DIA. CLASS 200, C900 P.V.C PIPE	-
3	4" DIA. ADAPTOR, (PJ X FLG)	8"L
4	4" DIA. 90° ELBOW, (FLG X FLG)	6.5"L
5	4" DIA. DUCTILE IRON SPOOL, (FLG X FLG)	-
6	4" X 4" X 4" - D.I.P., (FLG X FLG X FLG)	13"L x 5.5"L
7	4" R.W. GATE VALVE, (FLG X FLG)	9"L
8	BLIND FLANGE WITH 2" TAP	-
9	2" LEAD FREE BRASS CLOSE NIPPLE	-
10	2" LEAD FREE BRASS BALL VALVE WITH PADLOCK WING (F.I.P. X F.I.P.) FORD B11-777 KW	-
11	2" LEAD FREE BRASS F.I.P. THREAD 90° ELBOW	-
12	LEAD FREE BRASS PLUG	-
13	VAULT PER STD 1403D	-
14	1/2" EXPANSION JOINT MATERIAL BETWEEN VAULT AND SIDEWALK OR CURB	-
15	THRUST BLOCK PER CITY STD. PLAN 1412	-
16	MASONRY BLOCK	-



SIDE VIEW

NOTE:

ALL FITTINGS SHALL BE DUCTILE IRON UNLESS SPECIFIED OTHERWISE. METER BOX SHALL HAVE 10' CLEARANCE FROM ANY WALL, OTHER UTILITIES OR SUB-SURFACE FACILITIES, UNLESS APPROVED BY THE WATER RESOURCES DIVISION. ALL BOLTS SHALL BE STAINLESS STEEL TYPE 316.

APPROVED: DATE: 3/8/2016

Namir Saba

CITY OF SANTA ANA
PUBLIC WORKS AGENCY



DATE		REVISION
6/4/13	J.A.	UPDATED
10/1/13	J.A.	UPDATED DIMENSION
3/1/16	R.R.	REDUCED VAULT

4" WATER SERVICE

STD. PLAN NUMBER
1403B