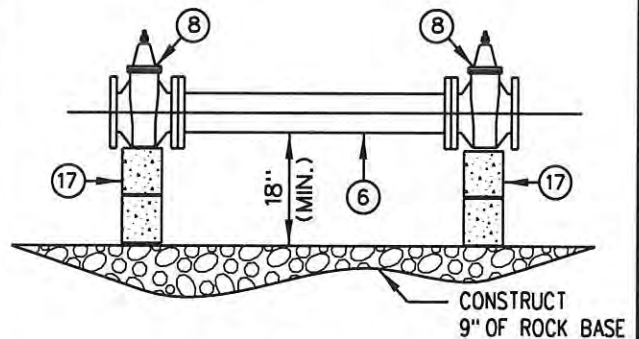


PLAN VIEW

NO.	CONSTRUCTION ITEMS / MATERIALS LIST	3" SERVICE LENGTH
1	4" R.W. GATE VALVE, (FLG X PJ) OR (FLG X MJ)	-
2	4" DIA. CLASS 200, C900 P.V.C PIPE	-
3	4" DIA. ADAPTOR, (PJ X FLG)	8"L
4	REDUCER, 4" X 3", (FLG X FLG)	7"L
5	3" DIA. 90° ELBOW, (FLG X FLG)	5.5"L
6	3" DIA. DUCTILE IRON SPOOL, (FLG X FLG)	-
7	3" X 3" X 3" - D.I.P., (FLG X FLG X FLG)	11"L x 5.5"L
8	3" R.W. GATE VALVE, (FLG X FLG)	8"L
9	BLIND FLANGE WITH 2" TAP	-
10	2" LEAD FREE BRASS CLOSE NIPPLE	-
11	2" LEAD FREE BRASS BALL VALVE WITH PADLOCK WING (F.I.P. X F.I.P.) FORD B11-777 KW	-
12	2" LEAD FREE BRASS F.I.P. THREAD 90° ELBOW	-
13	LEAD FREE BRASS PLUG	-
14	VAULT PER STD 1403D	-
15	1/2" EXPANSION JOINT MATERIAL BETWEEN VAULT AND SIDEWALK OR CURB	-
16	THRUST BLOCK PER CITY STD. PLAN 1412	-
17	MASONRY BLOCK	-

NOTE:

ON EXISTING MAIN CONSTRUCT HOT TAP PER CITY STD. 1408. FOR NEW MAIN CONSTRUCT TEE PER PLAN.



SIDE VIEW

NOTE:

ALL FITTINGS SHALL BE DUCTILE IRON UNLESS SPECIFIED OTHERWISE. METER BOX SHALL HAVE 10' CLEARANCE FROM ANY WALL, OTHER UTILITIES OR SUB-SURFACE FACILITIES, UNLESS APPROVED BY THE WATER RESOURCES DIVISION. ALL BOLTS SHALL BE STAINLESS STEEL TYPE 316.

APPROVED: DATE: 3/8/2016

*Namir Saba*

CITY OF SANTA ANA  
PUBLIC WORKS AGENCY



DATE		REVISION
6/4/13	J.A.	UPDATED
10/1/13	J.A.	UPDATED DIMENSION
3/1/16	R.R.	REDUCED VAULT

3" WATER SERVICE

STD. PLAN NUMBER  
1403A