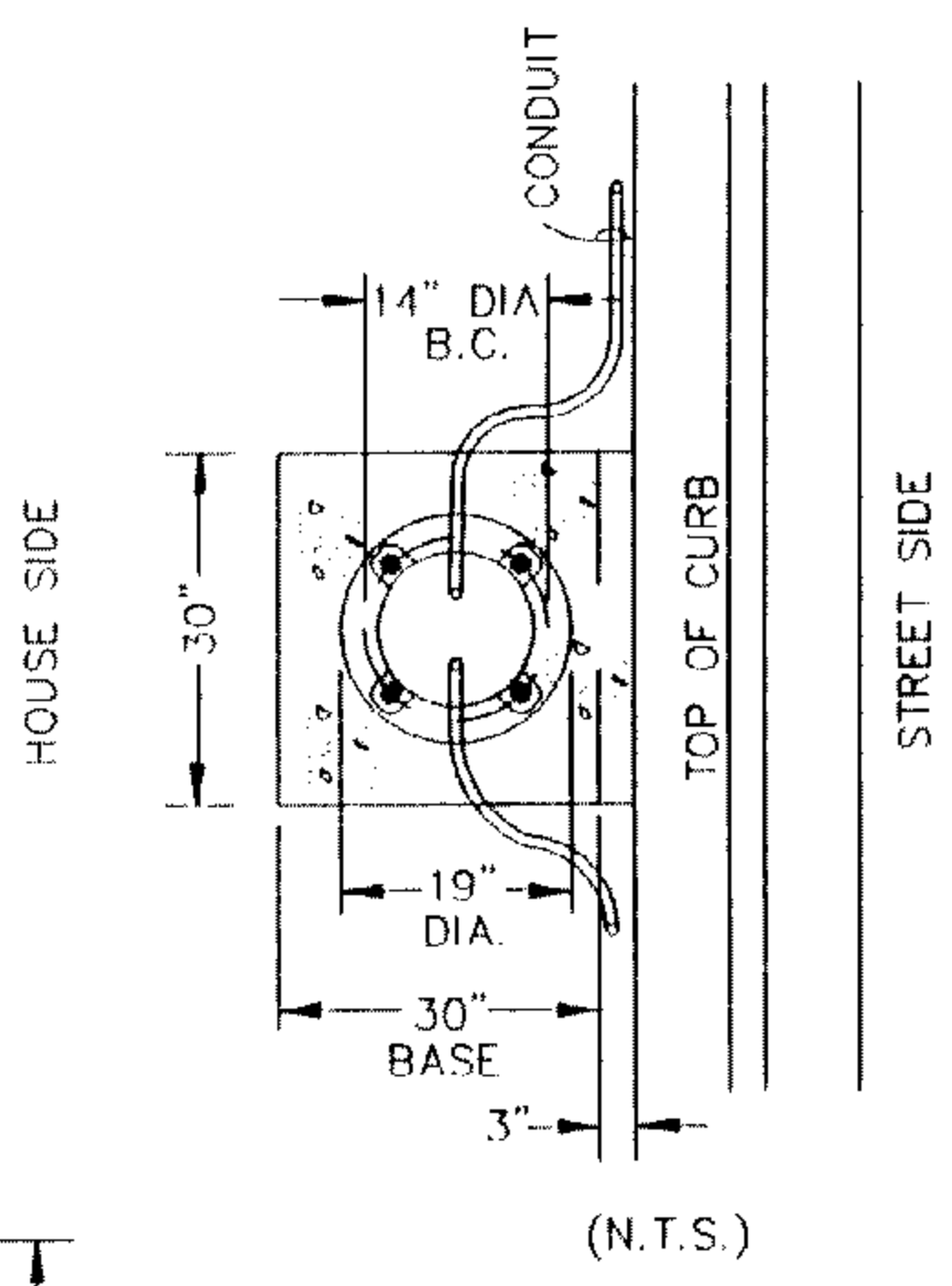


NOTE:

1. CONDUIT SHALL BE PLACED WITHIN 3" BACK OF CURB AND A MIN. OF 18" DEEP OR AS INDICATED ON THE PLAN.
2. POLES SHALL BE SUPPLIED BY SPRING CITY ELECTRIC CO., (714) 365-0054 OR APPROVED EQUAL.



APPROVED: *Gene Alvarez*
 CITY ENGINEER

DATE: 9-22-95

• CITY OF SANTA ANA •
 PUBLIC WORKS AGENCY



DATE	REVISION

**BASE DETAIL FOR CLASSIC
 CAST IRON
 RESIDENTIAL LIGHT STANDARD**

STD. PLAN
 NUMBER
1126 I