

6" DIA. HOLE FOR SELECTIVE POST

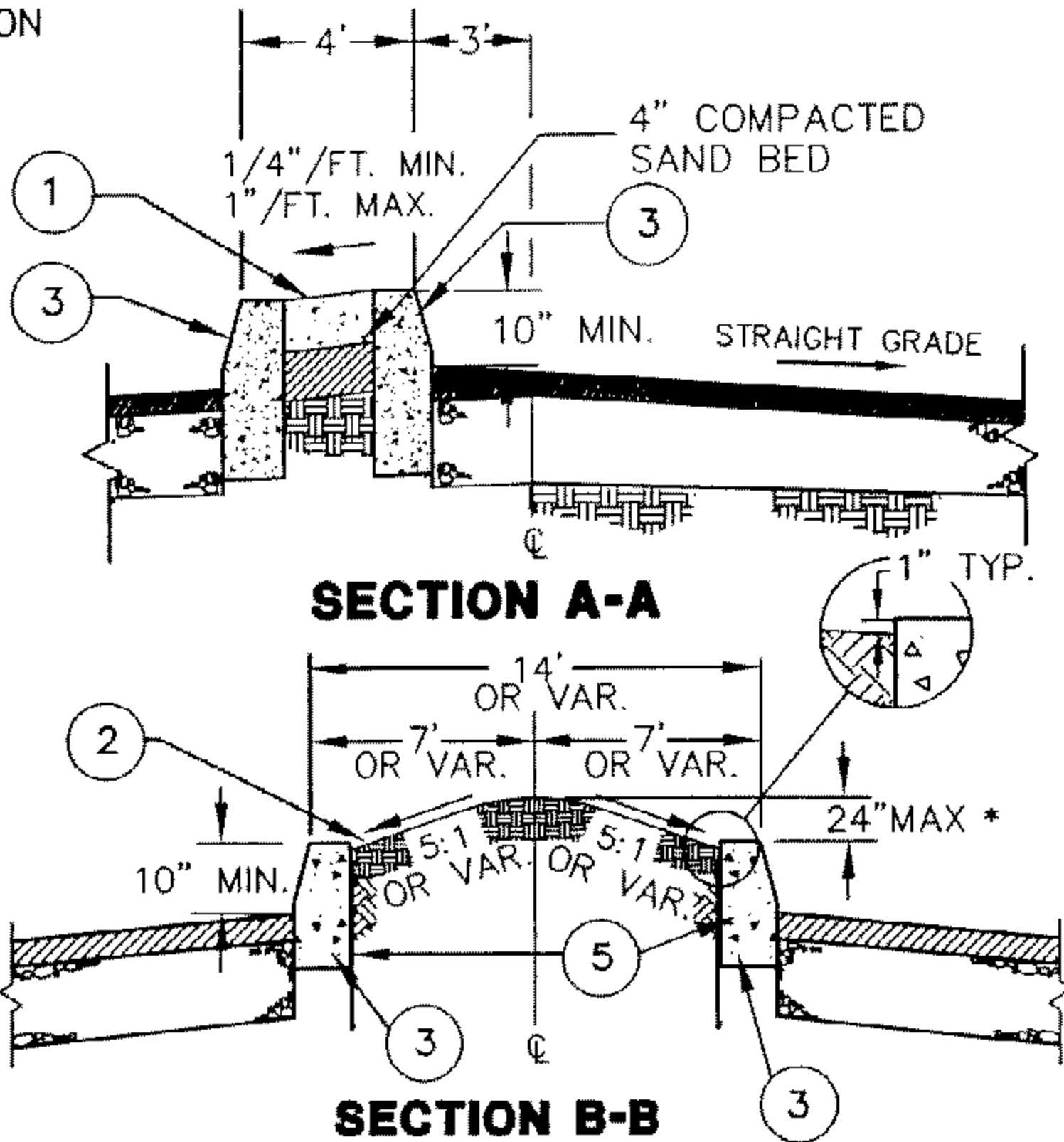
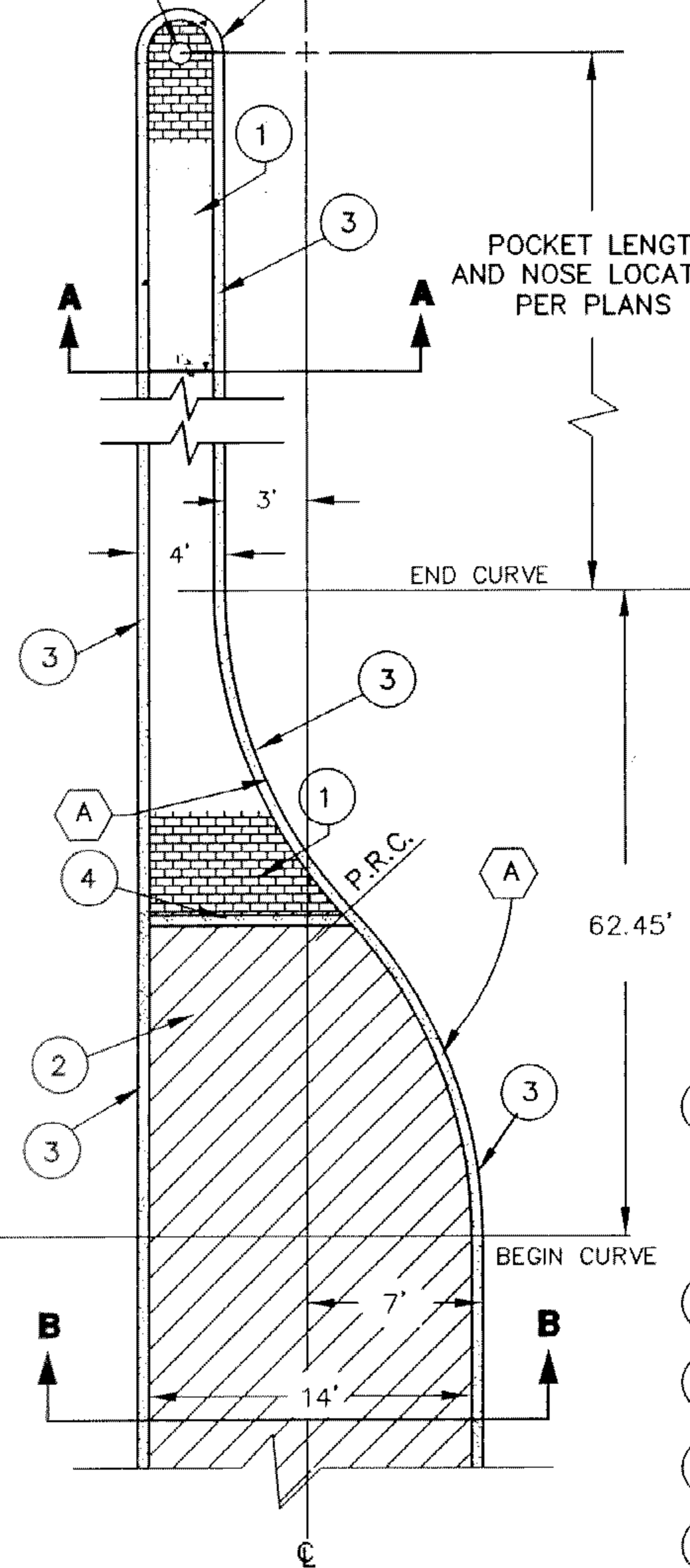
2' RADIUS

CURVE DATA

UNLESS OTHERWISE SHOWN ON PLANS

△ = 18° 11' 42"
 R = 100.00'
 L = 31.76'
 T = 16.01'

POCKET LENGTH AND NOSE LOCATION PER PLANS



- ① — CONSTRUCT 4" THICK PATTERN STAMPED CONCRETE CAP FLUSH WITH TOP OF CURBS. OVER 4" THICK COMPACTED SAND BED. CONCRETE COLOR TO BE BRICK RED #A-26 AS MANUFACTURED BY L.M. SCOFIELD OR APPROVED EQUAL.
- ② — PROVIDE MEDIAN LANDSCAPING AND IRRIGATION SYSTEM PER PLANS.
- ③ — CONSTRUCT 10" TYPE B-1 CURB PER STD. PLAN NO. 1101.
- ④ — CONSTRUCT 8"X 8" PCC MOW STRIP
- ⑤ — INSTALL 24" - 20 MIL PVC LINER.

REPLACES STD. PLAN NUMBER 118.

* 24" MAX. APPLIES WHEN MEDIAN WIDTH IS WIDER THAN 14' PER THE PLANS.

APPROVED:

DATE: 5-9-00

CITY ENGINEER

CITY OF SANTA ANA
 PUBLIC WORKS AGENCY



DATE	REVISION
9-30-96	GA CHANGE CURB HEIGHT
11-7-97	SA ADD MOISTURE BARRIER AND CHANGE CURB TYPE
3-12-98	SA CHANGE BUBBLE NOTE NUMBER
2-18-99	SA REVISED BERM HEIGHTS AND STAMPED CONCRETE MAX. X-SLOPE
11-2-99	SA REVISED MAX. X-SLOPE

**STANDARD 14' MEDIAN
 TURN POCKET**

STD. PLAN
 NUMBER
1118