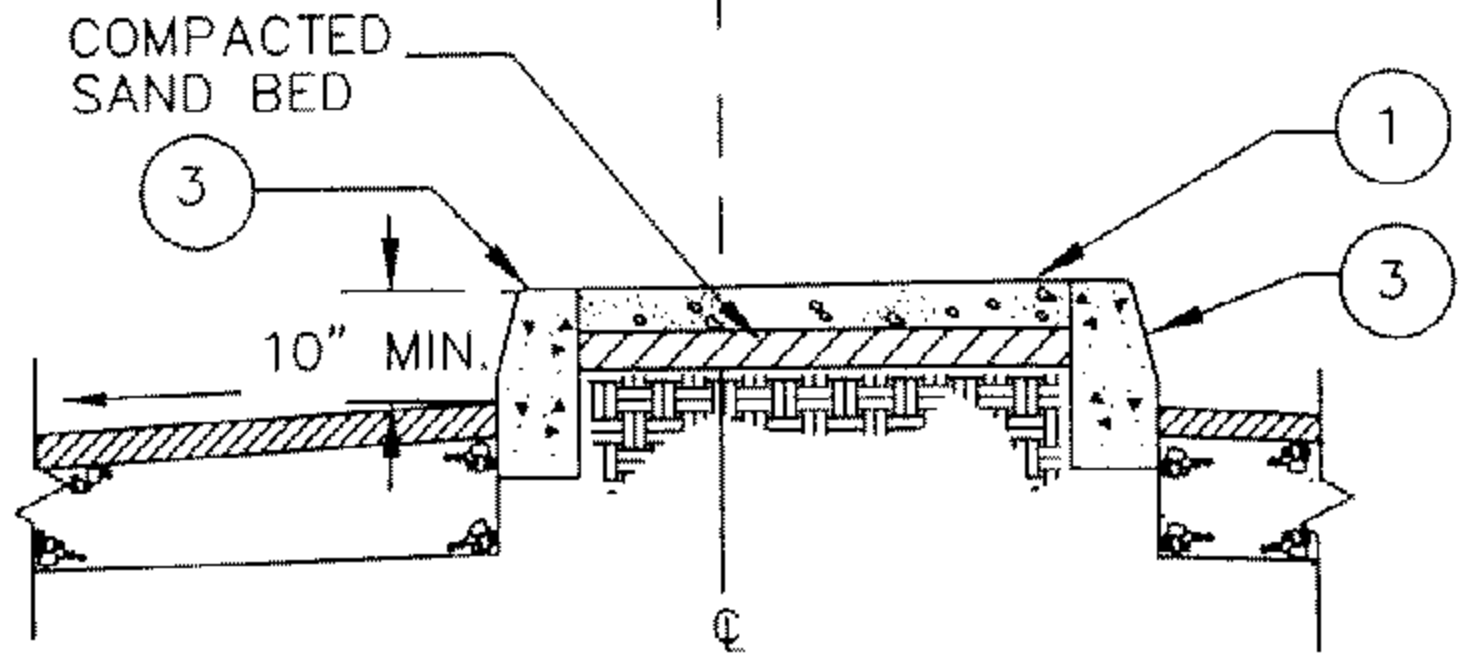
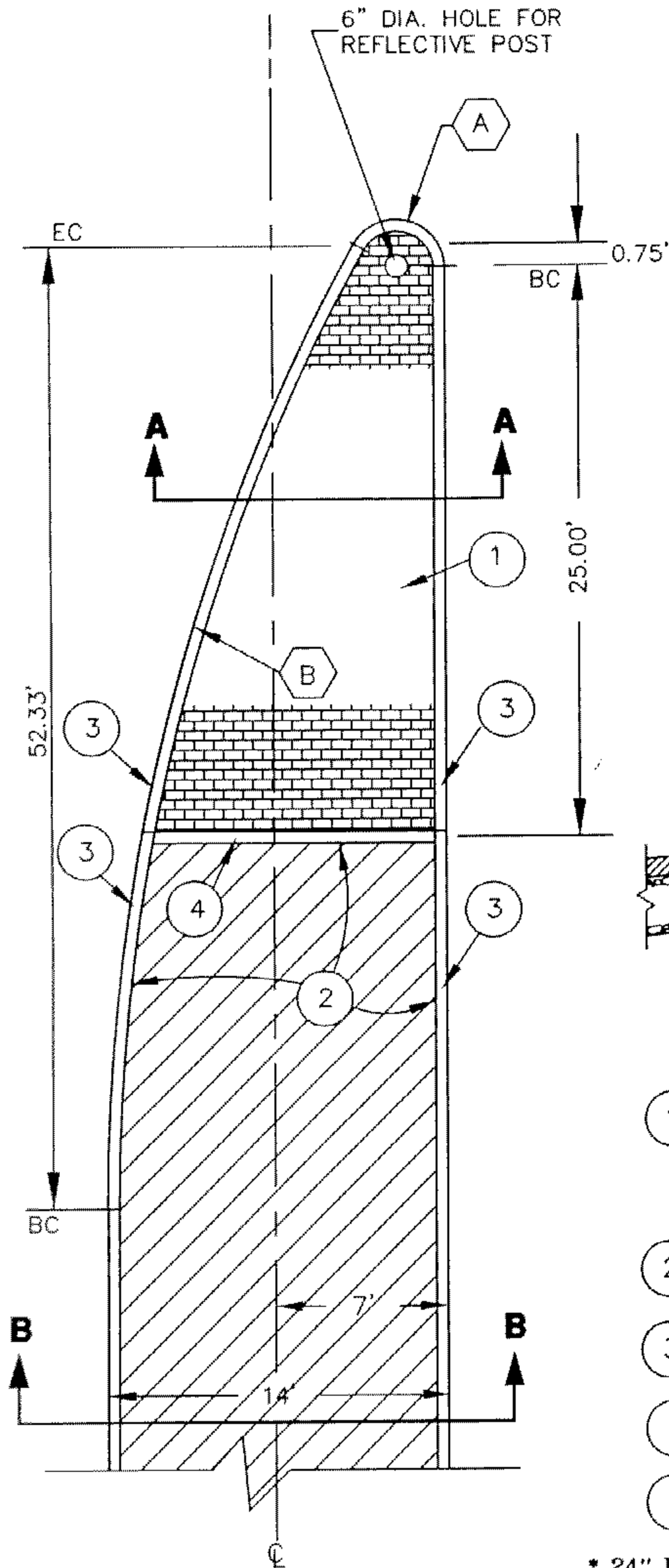


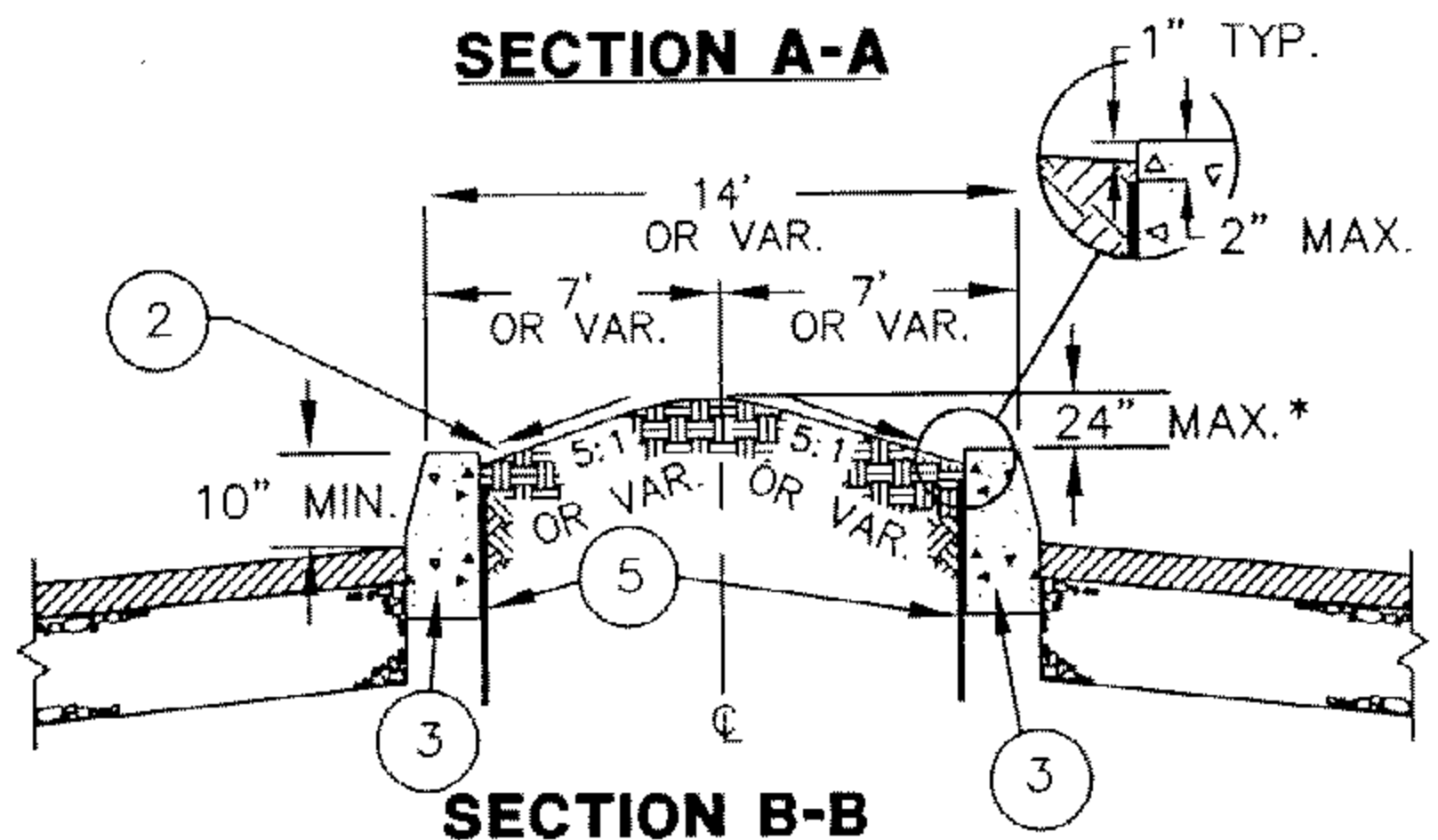
CURVE DATA

UNLESS OTHERWISE SHOWN ON PLANS

<p>⬡ A — Δ = 158° 03' 14"</p> <p>R = 2.0'</p> <p>L = 5.52'</p> <p>L = 10.32'</p>	<p>⬡ B — Δ = 21° 56' 46"</p> <p>R = 140.00'</p> <p>L = 53.62'</p> <p>T = 27.14'</p>
--	---



SECTION A-A



SECTION B-B

IF REQUIRED, CONSTRUCT CROWN 1/4"/FT MIN., TO PROVIDE DRAINAGE.

- ① — PLACE 4" THICK PATTERN STAMPED CONCRETE CAP FLUSH WITH TOP OF CURBS OVER 4" COMPACTED SAND BASE. CONCRETE COLOR TO BE BRICK RED #A-26 AS MANUFACTURED BY L.M. SCOFIELD OR APPROVED EQUAL.
- ② — PROVIDE MEDIAN LANDSCAPING AND IRRIGATION SYSTEM PER PLANS.
- ③ — CONSTRUCT 10" TYPE B-1 CURB PER STD. PLAN NO. 1101.
- ④ — CONSTRUCT 8" x 8" MOW STRIP
- ⑤ — INSTALL 24" - 20 MIL PVC LINER.

* 24" MAX. APPLIES WHEN MEDIAN WIDTH IS WIDER THAN 14' PER THE PLANS.

APPROVED:

DATE: 5-9-00

Gene Ahoy
CITY ENGINEER

◦ CITY OF SANTA ANA ◦

PUBLIC WORKS AGENCY



DATE	REVISION
11/7/97 SA	ADD MOISTURE BARRIER AND CHANGE CURB TYPE.
2/18/99 SA	REVISED MAX BERM HEIGHT
11/2/99 SA	REVISED MAX. X-SLOPE

STANDARD 14' MEDIAN FLARE

STD. PLAN NUMBER
1118A