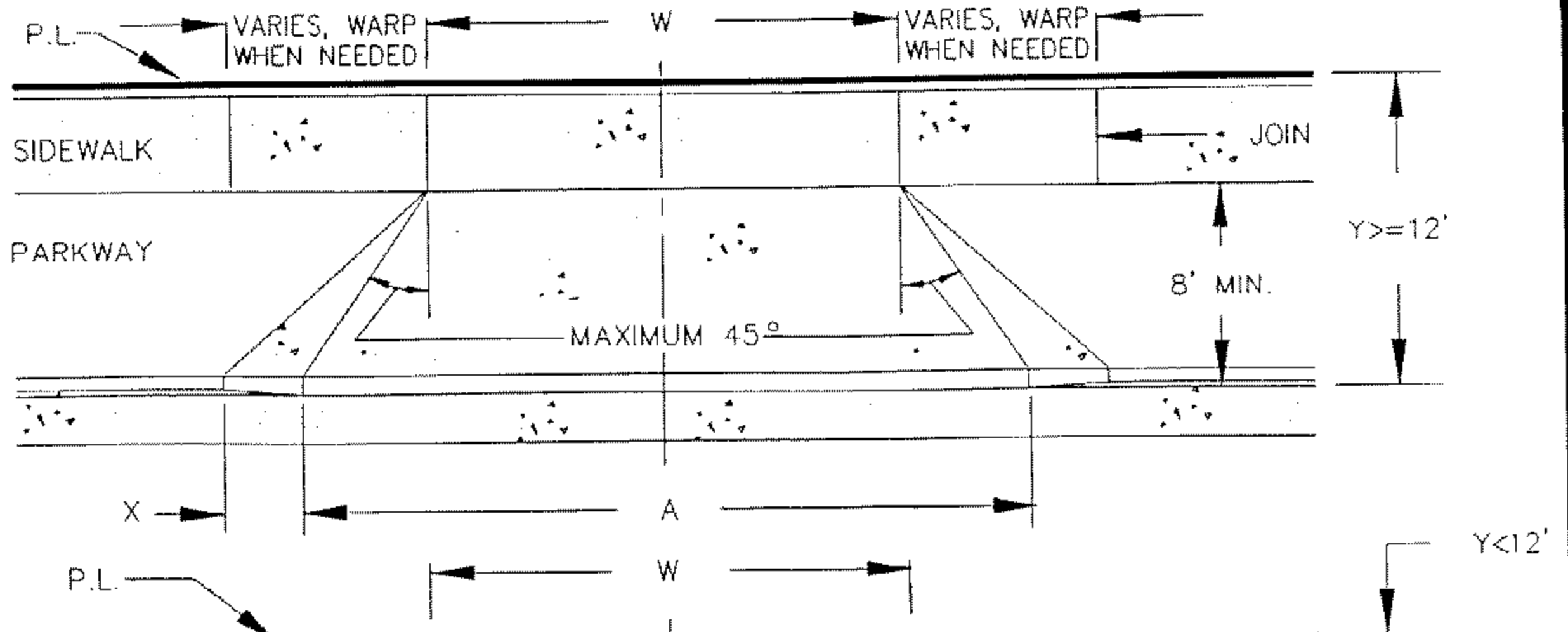
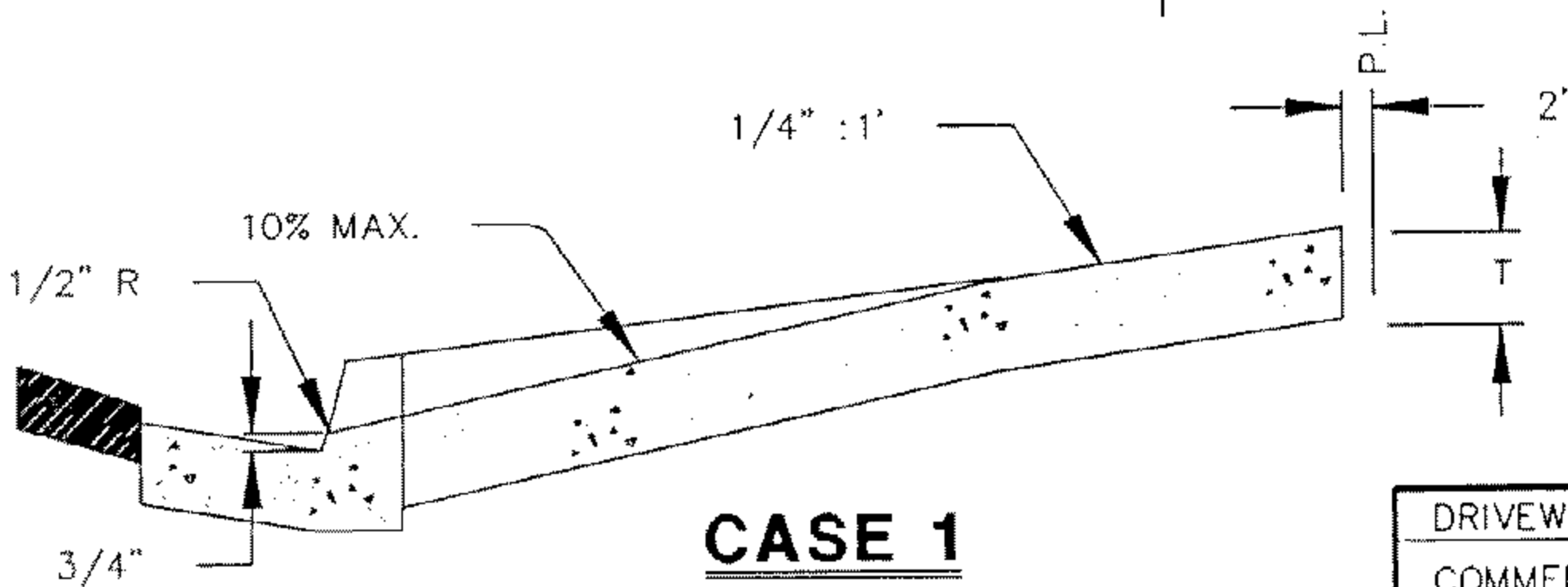
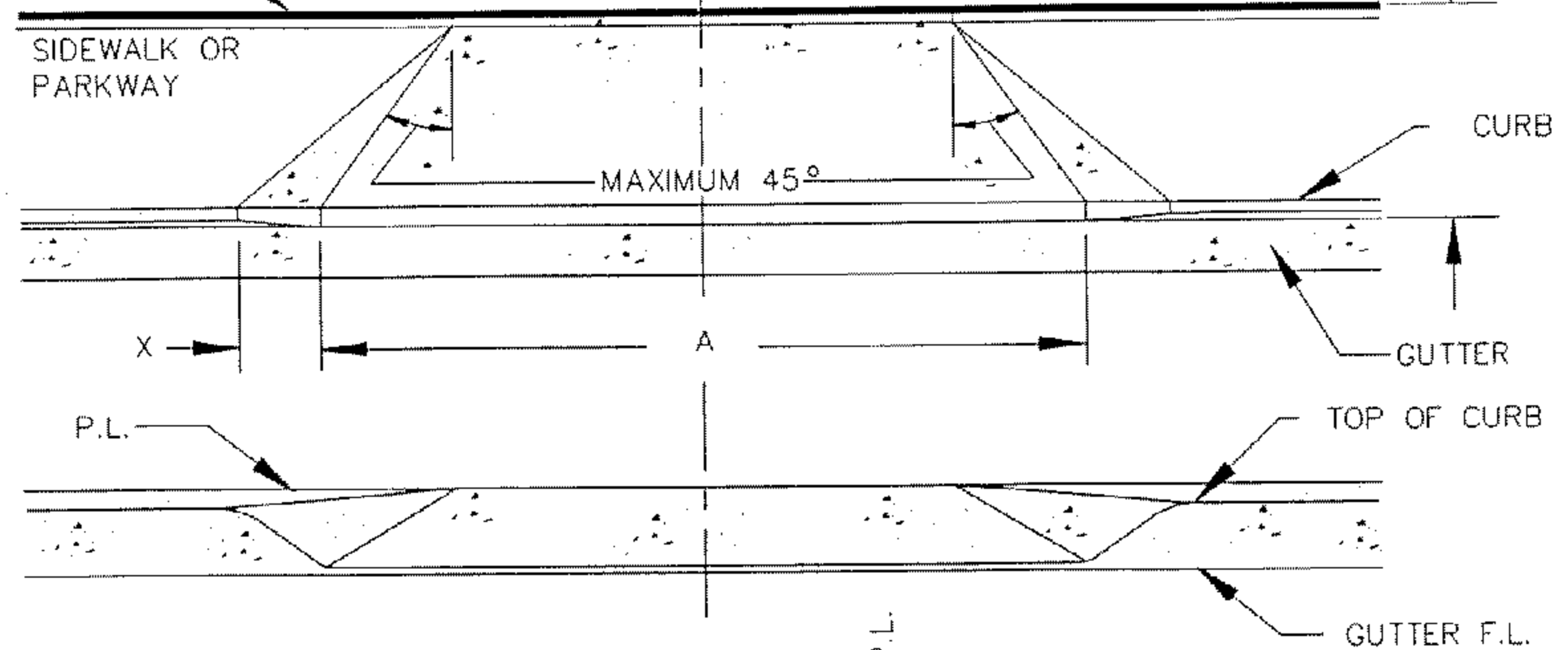


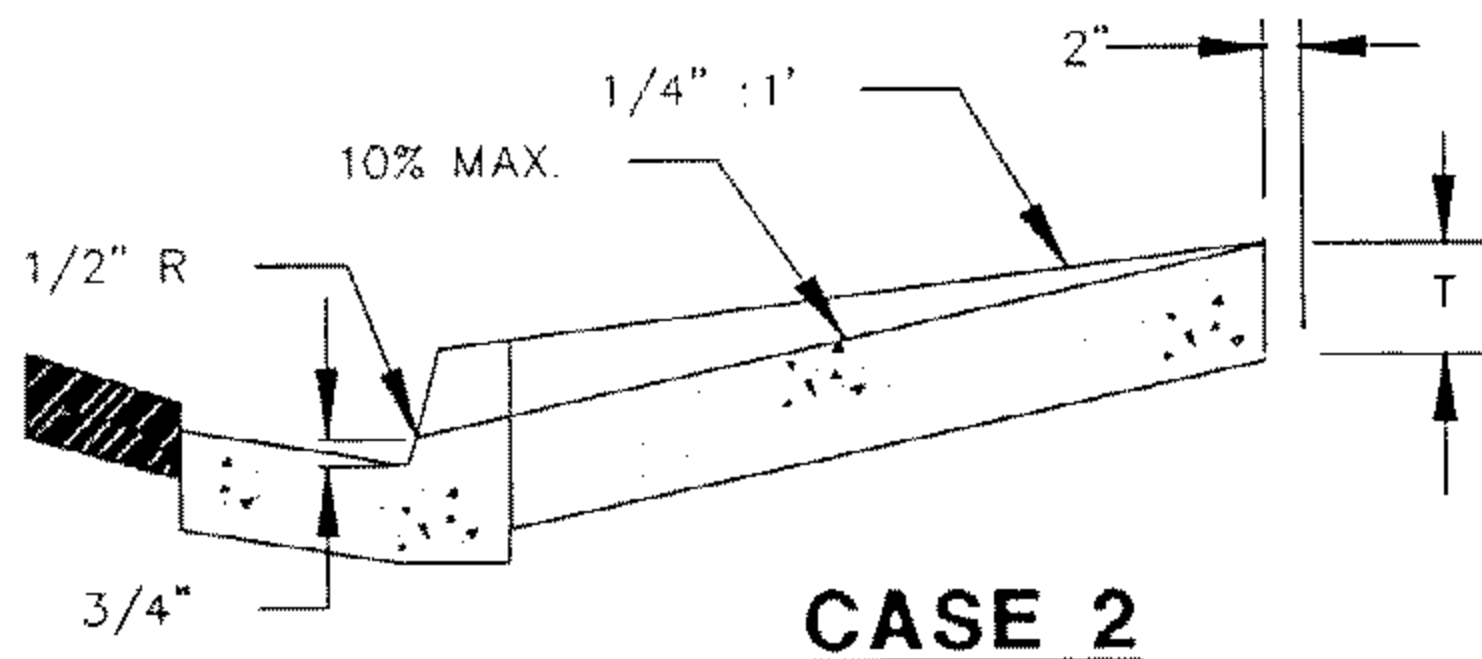
CASE 1



CASE 2



CASE 1



CASE 2

| CURB FACE | X |
|--------------|----|
| UNDER 6" | 3' |
| 6" TO < 8" | 3' |
| 8" TO < 10" | 4' |
| 10" TO < 12" | 5' |
| 12" | 6' |

| DRIVEWAY USE | T | A | W |
|--------------|----|----------|----------|
| COMMERCIAL | 8" | 50' MAX. | 40' MAX. |
| RESIDENTIAL | 6" | 34' MAX. | 24' MAX. |

NOTES

1. SEE SECTION 33-34 OF SANTA ANA MUNICIPAL CODE FOR ORDINANCE FOR DRIVEWAYS.
2. USE CASE 1 WHERE "Y" IS GREATER THAN OR EQUAL 12'.
USE CASE 2 WHERE "Y" IS LESS THAN 12'.
3. CONCRETE SHALL BE CLASS 520-C-2500.

REPLACES STD. PLAN NUMBER 112

APPROVED: *George Alway*
CITY ENGINEER

DATE: 12-22-88

CITY OF SANTA ANA
PUBLIC WORKS AGENCY



| DATE | REVISION |
|------|----------|
| | |
| | |
| | |

DRIVEWAY APPROACH

STD. PLAN NUMBER
1112