

CONSTRUCTION ITEMS / MATERIALS LIST			
NO.	SIZE AND DESCRIPTION	MANUFACTURER/MATERIAL	MFR. CAT. NO.
1	CAST IRON FRAME AND COVER ("SEWER")	ALHAMBRA FOUNDRY OR APPROVED EQUAL	A-2100
2	SDR-35; PVC SEWER PIPE -4" MIN. IF SERVING 4 DWELLINGS OR LESS -6" MIN. ALL OTHER CASES	SDR-35	
3	CONSTRUCT CONCRETE SIDEWALK PER CITY STD. PLAN 1104		
4	CONCRETE SHALL BE CLASS 420-C-2000, POURED FULL WIDTH OF TRENCH		
5	SDR-35; MALE THREADED NUT PLUG		
6	WYE SHALL MATCH EXIST. SEWER MAIN MATERIAL	SDR-35 PVC OR V.C.P.	
7	45° ELBOW SHALL MATCH WYE MATERIAL	SDR-35 PVC OR V.C.P.	
8	SDR-35; REDUCER (IF NECESSARY)		
9	COUPLING ADAPTER (IF NECESSARY)		
10	SDR-35; PVC WYE		
11	45° PVC ELBOW		

NOTE:

1. MIN. LATERAL SLOPE SHALL BE 1/4" PER FOOT (2%).

APPROVED:

DATE:

8/10/09

[Signature]

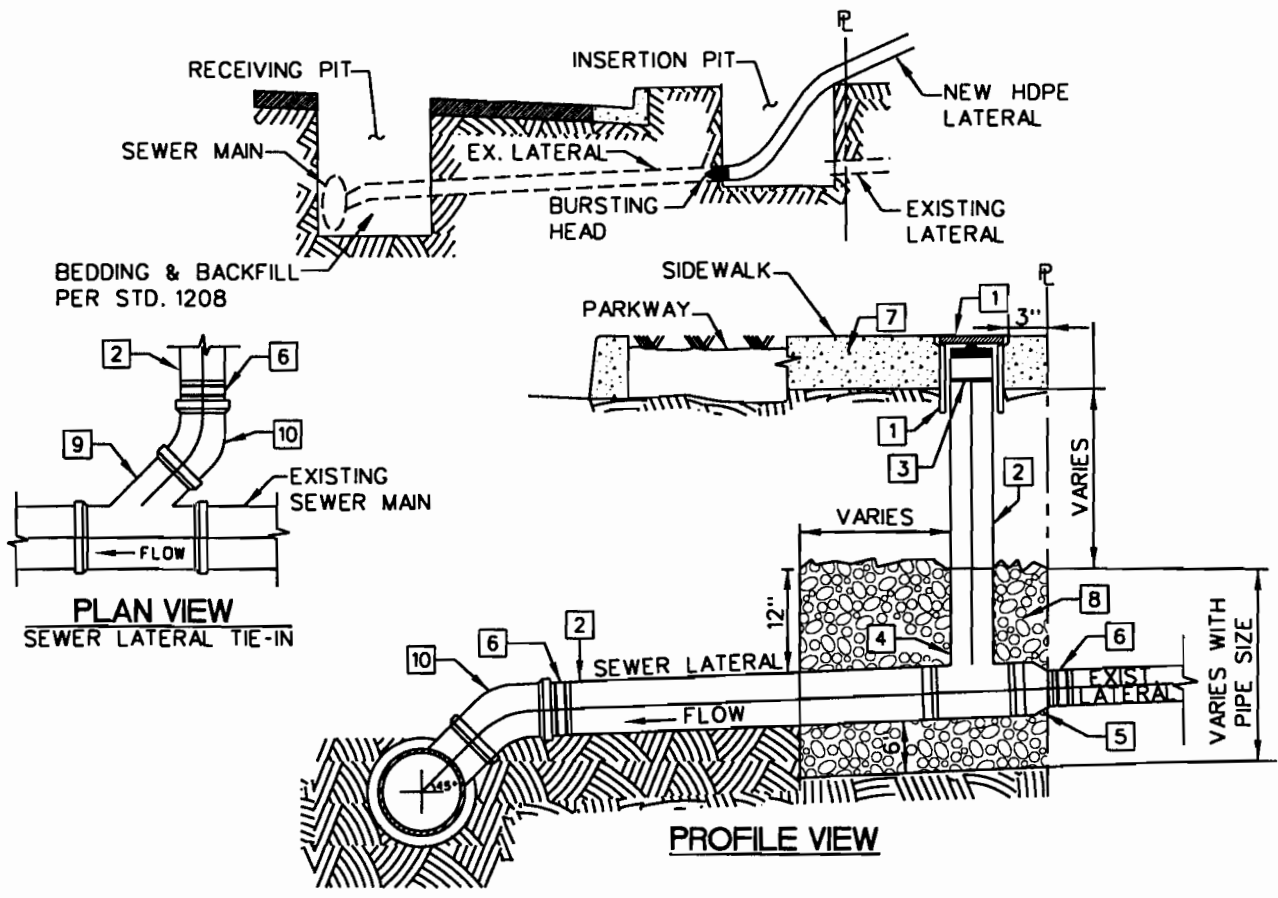
CITY OF SANTA ANA
PUBLIC WORKS AGENCY



DATE		REVISION
8/19/03	A.F.	NEW DETAIL
7/16/09	R.R.	CHANGED MIN. LATERAL SIZE

SEWER LATERAL
AND CLEANOUT

STD. PLAN
NUMBER
1204



CONSTRUCTION ITEMS / MATERIALS LIST			
NO.	SIZE AND DESCRIPTION	MANUFACTURER/MATERIAL	MFR. CAT. NO.
1	CAST IRON FRAME AND COVER	ALHAMBRA FOUNDRY OR APPROVED EQUAL	A-2100
2	HDPE SEWER PIPE -4" MIN. IF SERVING 4 DWELLINGS OR LESS -6" MIN. ALL OTHER CASES	HDPE (HIGH DENSITY POLYETHYLENE)	
3	CLEAN OUT, 4", DR11 IPS	P & F DISTRIBUTORS OR APPROVED EQUAL	40040010
4	TWO-WAY TEE, DR 17	P & F DISTRIBUTORS OR APPROVED EQUAL	
5	REDUCER (IF NECESSARY)	SDR-35	
6	COUPLING ADAPTER (IF NECESSARY)		
7	CONSTRUCT CONCRETE SIDEWALK PER CITY STD. PLAN 1104		
8	CRUSHED ROCK, 1/2" DIAMETER MAX		
9	WYE SHALL MATCH EXISTING SEWER MAIN MATERIAL		
10	45° ELBOW SHALL MATCH WYE MATERIAL		

NOTES:

1. AGENCY SHALL REVIEW AND APPROVE OF PIPE BURSTING METHOD PRIOR TO CONTRACTOR COMMENCING WORK
2. ALL HDPE JOINTS SHALL BE FUSED.
3. CONTRACTOR SHALL REMOVE THE FUSION "BEAD" FROM INSIDE OF PIPE USING APPROPRIATE CUTTING TOOL.

APPROVED: _____ DATE: 8/16/09

CITY OF SANTA ANA
PUBLIC WORKS AGENCY



DATE	REVISION
7/16/09	R.R. NEW DETAIL

SEWER LATERAL
AND CLEANOUT
(PIPE BURSTING)

STD. PLAN
NUMBER
1204A