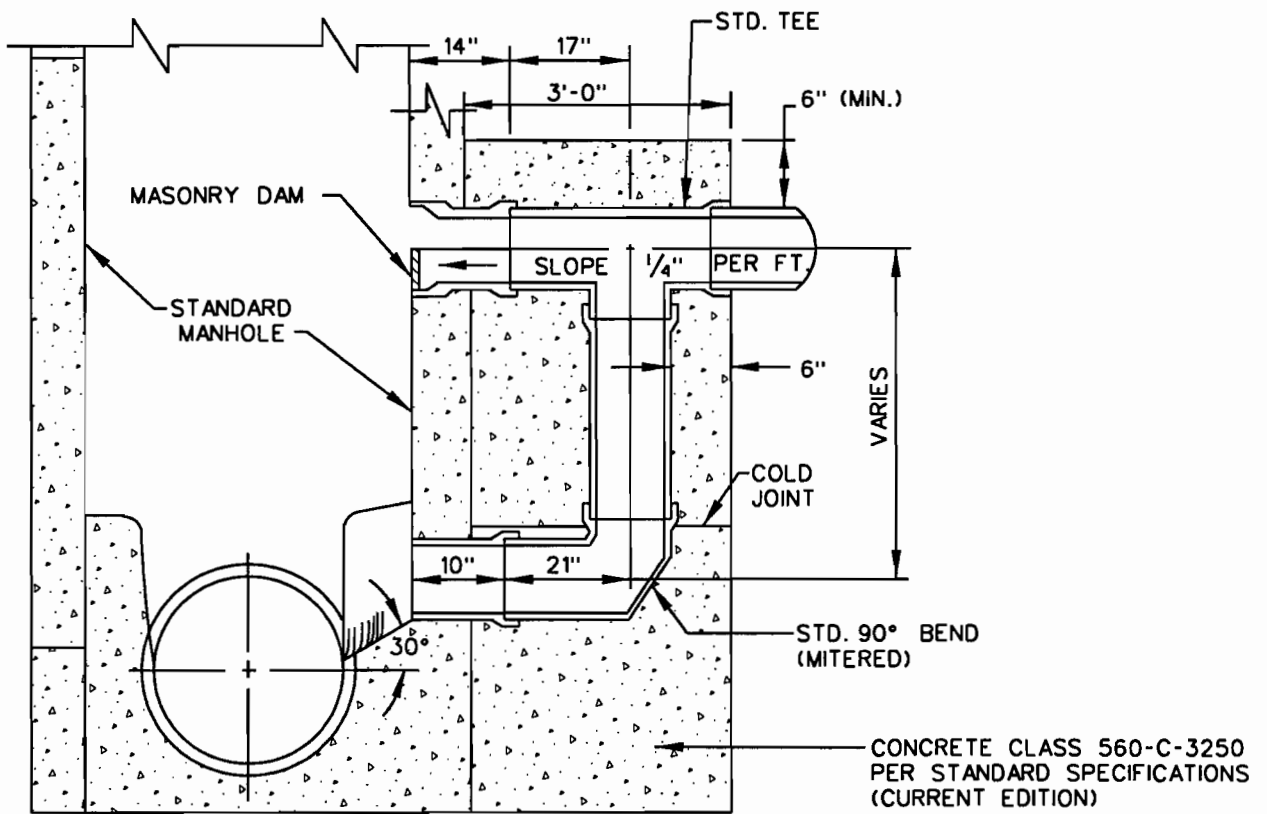


PLAN VIEW



SECTION A-A

**NOTE:**

1. DIMENSIONS SHOWN ARE FOR 8" FITTINGS (THE MINIMUM SIZE TO BE USED).
2. NOTES ON SHEET 2 OF STD. 1201 APPLY TO THIS STANDARD PLAN.

APPROVED:  DATE: 8/10/09

CITY OF SANTA ANA  
PUBLIC WORKS AGENCY



DATE	REVISION
11/7/67	R.E.W. ADD INCREASER
7/16/09	R.R. UPDATED

DROP MANHOLE

STD. PLAN  
NUMBER  
1201A